



Leading the Industry in  
**Microinverter Technology**

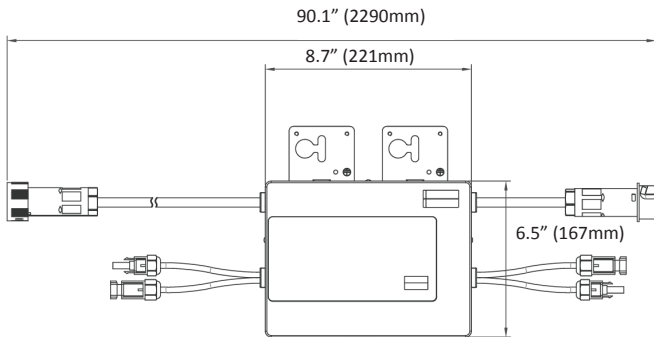


# YC500A

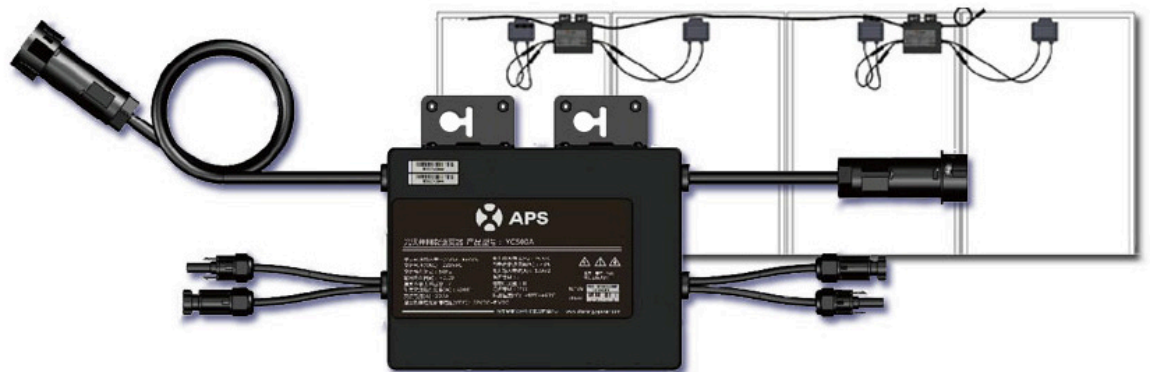
## Microinverter

- Single unit connects two solar modules
- Maximum output power 500W
- Individual MPPT for each module
- Rated up to 310W
- Up to 14 solar modules (7x YC500s) in a string with a 20A breaker

### DIMENSIONS



Our flagship product, the APS YC500A is a grid-tied microinverter with intelligent networking and monitoring systems to ensure maximum efficiency. Highly dependable and cost effective, the YC500A handles up to 310W modules with negligible clipping, delivering 250W AC per module with dual MPPT. Half the inverters and half the installation means real cost savings for residential and commercial customers.



[APSAmerica.com](http://APSAmerica.com)

# APS YC500A Microinverter Datasheet

## INPUT DATA (DC)

Recommended PV Module Power Range (STC)	180-310W
MPPT Voltage Range	22-45V
Maximum Input Voltage	55V
Maximum Input Current	12A X 2

## OUTPUT DATA (AC)

Rated Output Power	500W
Maximum Output Current	2.08A @ 240V 2.4A @208V
Nominal Output Voltage/Range - 240V	240V/211V-264V*
Nominal Output Voltage/Range - 208V	208V/183V-229V*
Nominal Output Frequency/Range	60Hz/ 59.3-60.5Hz*
Power Factor	>0.99
Total Harmonic Distortion	<3%
Maximum Units Per Branch	7 per 20A @ 240V 6 per 20A @ 208V

## EFFICIENCY

Peak Efficiency	95.5%
CEC Weighted Efficiency**	95%
Nominal MPP Tracking Efficiency	99.5%

## MECHANICAL DATA

Storage Temperature Range	-40°F to +185°F (-40°C to +85°C)
Operating Temperature Range (Ambient)	-40°F to +149°F (-40°C to +65°C)
Operating Temperature Range (Internal)	-40°F to +185°F (-40°C to +85°C)
Dimensions (WxHxD) inches	8.75" x 6.5" x 1.1"
Dimensions (WxHxD) mm	221mm x 167mm x 29mm
Weight	5.5 lbs (2.5kg)
Enclosure Rating	NEMA 4X
Cooling	Natural Convection

## FEATURES & COMPLIANCE

Communication	Power line
Design Life	25 years
Emissions & Immunity (EMC) Compliance	FCC PART 15, ANSI C63.4 2003, ICES-003
Safety Class Compliance	UL 1741, CSA C22.2, No. 107.1-01, NEC2014 690.12
Grid Connection Compliance	IEEE 1547

Specifications subject to change without notice - please ensure you are using the most recent update found at [www.APSamerica.com](http://www.APSamerica.com)

\* Programmable per customer and utility requirements. All settings UL approved

\*\*CEC registered as Altenergy Power System Inc.

10.06.14 © All Rights Reserved